



# ORION E SMALL-SCALE C&I ESS SOLUTION

GE-F128 Outdoor Battery Cabinet

+

Hybrid Inverter



## Ultimate Protection, Continuing "0" safety accidents

- **Six-dimensional** safety design, eliminating the risk of fire and explosion
- **D1 electrical isolation + D2 fire detection + D3 active exhaust + D4 explosion venting + D5 fire suppression + D6 Thermal isolation**
- High-intensity cabinet, **unique patented door latch design**, eliminates structural weak points
- **Hour-level fire resistance**, prevent heat spread



## Highly Integrated, All-in-one quick deployment

- Outer cabinet wall preset inverter bracket installation position, **no wall bearing concerns, no need to drill**
- Single cabinet can easily deploy **PV+ESS, PV+ESS+DG**
- Can be installed **side by side or back to back**, reducing the footprint



## Stable Efficient, Excellent performance ensures returns

- Long-life lithium iron phosphate battery, **≥ 8000 cycles**
- High-efficiency thermal management, no derating at 45°C, cell temperature difference **≤ 6°C**
- **0.63C** Max Continuous Charge/Discharge, Fast & Stable Power Supply



## Intelligent Management, Flexible adaptation and expansion

- Leading **pack-level + cell-level** energy balancing algorithm, non-inductive pack change and cabinet expansion
- Single cabinet can be configured with a **2/4h ESS system**, up to **10 units** battery cabinet parallel
- Integrated energy platform, **24/7 AI** smart customization of optimal power usage strategies

# GE-F128 Outdoor Battery Cabinet

## Model

GE-F128-BC-4-A1

## Main Parameters

Cell Type	LiFePO <sub>4</sub>
Module Capacity (Ah)	314
Module Nominal Voltage (Vdc)	51.2
Module Energy (kWh)	16.08
Module Qty In Series	8
System Nominal Energy (kWh)	128.61
System Usable Energy (kWh) <sup>1</sup>	128.61
System Nominal Voltage (Vdc)	409.6
System Operating Voltage (Vdc)	320-467.2
Rated DC Power (kW)	64
Max. DC Power (kW)	80
Charge/Discharge Max. Continuous	200
Current(A) <sup>2</sup> Peak discharge@15s/25±2°C	295
Communication Port	CAN, RS485, 4G (Optional)
Communication protocol	CAN2.0, Modbus485
Operating Temperature(°C) <sup>3</sup>	-30~55
Recommend Storage Temperature(°C)	0~35
Humidity	5% ~ 95%RH (No Condensing)
Altitude	3000m
IP Protection	IP55
Anti Corrosion Level	C4-M, customizable up to C5
Auxiliary Power Voltage	AC 277V(L+N); AC 208V(L+L)
Dimension(W x D x H,mm)	998 x 1240 x 2405.5
Weight(kg)	1760
Installation Location	Floor mount
Cycle Life	≥8000 (25±2°C,0.5P,EOL70%)
Warranty	10 years
Compliance Standard <sup>4</sup>	UN38.3, UL1973, UL9540A, UL9540-DC, NFPA855, FCC

1. Test conditions : 100% DOD, 0.5P charge & discharge at 25°C. System usable energy may vary due to system configuration parameters.

2. The current is affected by temperature and SOC.

3. Derated operation at > 45°C.

4. This document reflects current technology and is subject to change without notice. Refer to the Deye website for the latest information.

# HESS Solution (Recommend)



GE-F128 Series

+

Under development



60K-3P-480V\*  
Battery Input Terminal Rating: 160A  
ESS OperatingC- rate: 0.5C



60K-3P-480V  
Battery Input Terminal Rating: 50A\*2  
ESS OperatingC- rate: 0.3C

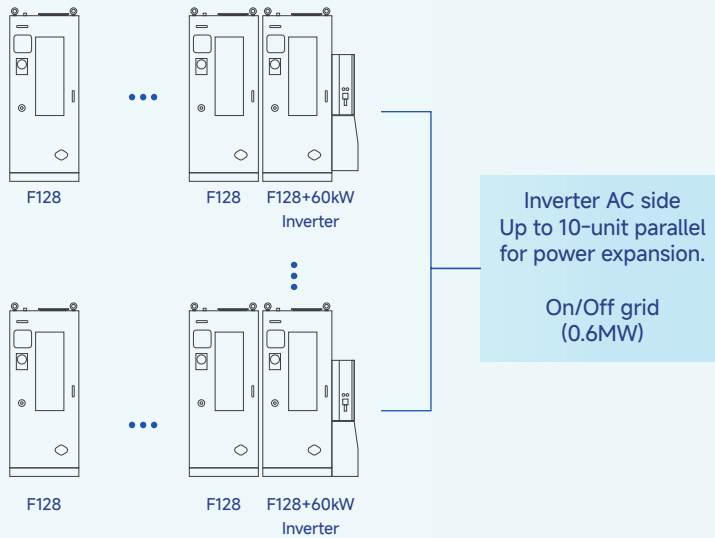


30K-3P-208V  
Battery Input Terminal Rating: 50A\*2  
ESS OperatingC- rate: 0.23C

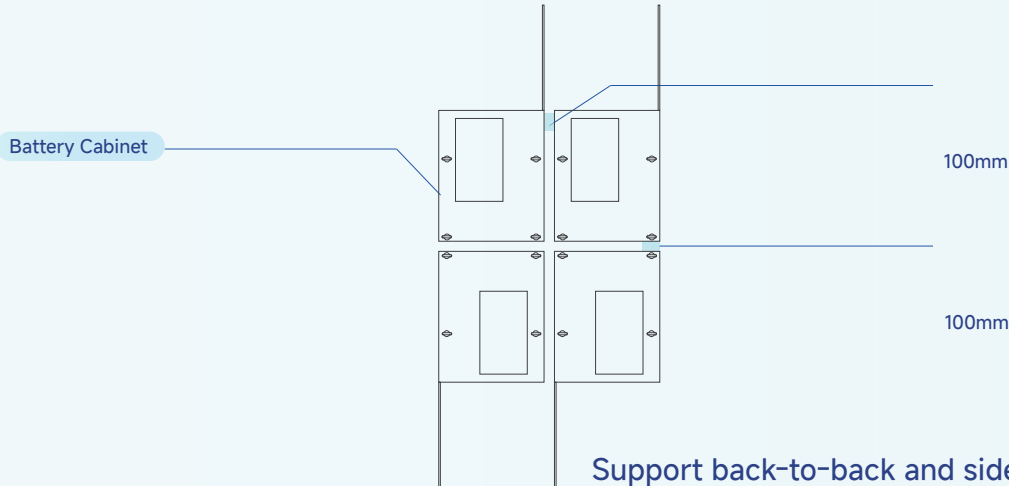
Power Unit	Battery Cabinet Model	Specification
<b>2h ESS Solution</b>		
60K-3P-480V(160A)	GE-F128-BC-4-A1	60kW/128kWh
<b>2.5~3h ESS Solution</b>		
60K-3P-480V(50A*2)	GE-F128-BC-4-A1	40kW/128kWh
<b>4h ESS Solution</b>		
30K-3P-208V(50A*2)	GE-F128-BC-4-A1	30kW/128kWh

## AC/DC Side Parallel Expansion (Capacity & Power)

### HESS HYBRID ENERGY STORAGE SYSTEM



Battery Cabinet DC side  
Up to 10-unit parallel for capacity expansion  
(1.28MWh)



Support back-to-back and side-by-side installation.

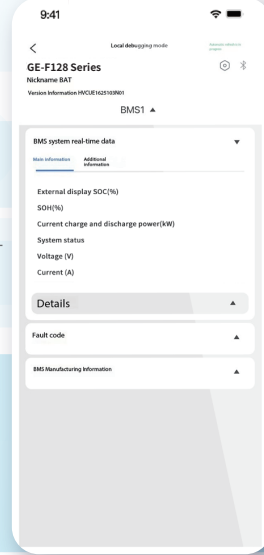
# Deye APP

Bluetooth APP Monitoring

Low Power (Bluetooth LE)

Automated upgrade

Local monitoring mode for battery

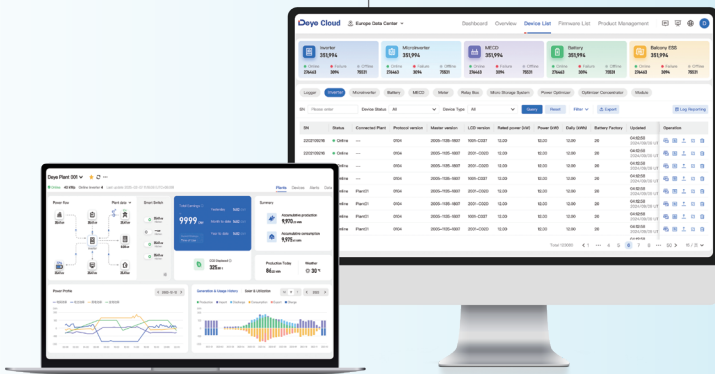


Quick Pairing

No Internet Needed

Portable Control

## Remote monitoring mode for ESS (Deye Battery Cabinet)



Real-time Equipment Monitoring

Intelligent Charging/Discharging Strategies

AI Data Analytics

Customized Maintenance

## Smarten Up Your Home Energy



Download Deye APP to join us!

Embrace a seamless, effortless energy experience that's both ecofriendly and budget-friendly with our intelligent assistant





**POWERING YOUR LIFE**



[www.deyeess.com](http://www.deyeess.com) / [www.deyeinverter.com](http://www.deyeinverter.com)



Deye ESS / Deye New Energy